



GALBREATH INCORPORATED
Corporate Headquarters
461 E. Rosser Drive, P.O. Box 220
Winamac, IN 46996
Ph: 574-946-6631 Fax: 574-946-4579
800-285-0666 (Inside USA)

Southwest Sales
Ph: 817-477-4574 Fax: 817-473-7657
800-297-0668 (Inside USA)

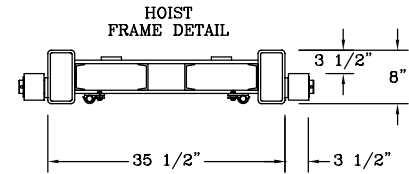
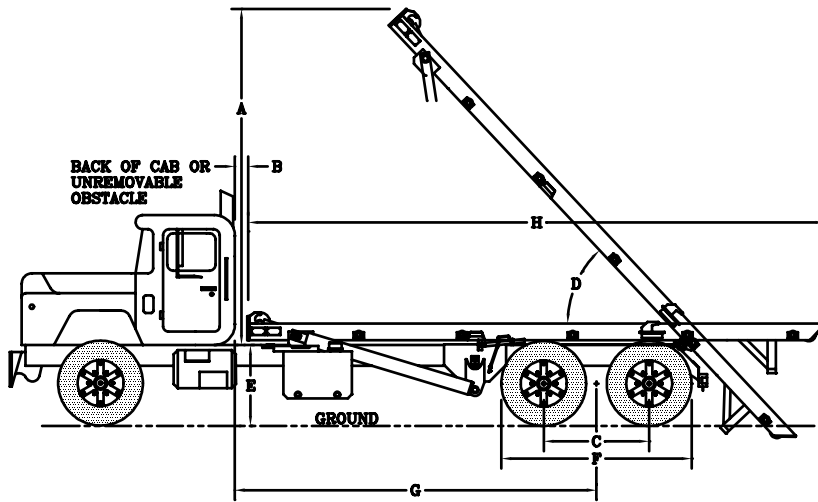
Highway 75 South, Route #1
Ider, AL 35981
Ph: 256-657-6140 Fax: 256-657-6147
800-964-6478 (Inside USA)

GENUINE ALL STAR PARTS
800-946-9476 FAX: 574-946-4579

<http://www.galbreath-inc.com>

Specifications

Outside Rail "OR" Model Hoists



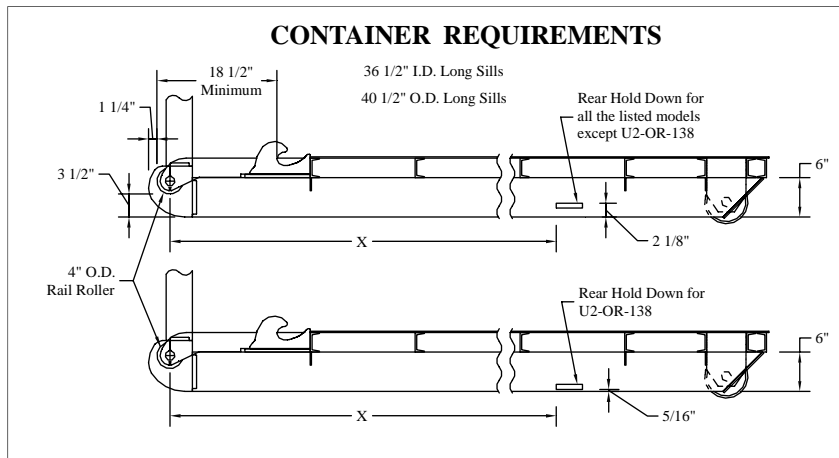
HOIST MODELS	SINGLE AXLE		TANDEM AXLE							
	U2-OR-138	U3-OR-156	U4-OR-174	U5-OR-174	UT-OR-174	UH-OR-174	UX-OR-178	U5-OR-194	UT-OR-194	
A-Approx. Ht. Above Frame (5)	144"	159-1/2"	163"	163"	163-3/4"	163-3/4"	178"	181-3/4"	178-1/2"	
B-Cab to Hoist	6"	6"	6"	6"	6"	6"	6"	6"	6"	
C-Axle spread	-	-	51" - 55" (1)	51" - 55" (1)	51" - 55" (1)	51" - 55" (1)	51" - 60" (1)	51" - 55" (1)	51" - 55" (1)	
D-Raised Angle	51°	51°	47°	47°	48°	47°	52°	48°	48°	
E-Frame to Ground Ht. (5)	43" Max.	43" Max.	43" Max.	43" Max.	43" Max.	43" Max.	46" Max.	43" Max.	43" Max.	
F-Tire O.D. to O.D.	-	-	96" Max.	96" Max.	96" Max (6)	96" Max.	108" Max.	96" Max. (3)	96" Max. (6)	
G-Cab to Axle	138"	156"	174"	174"	174"	174"	178"	194"	194"	
H-Hoist Length	230"	246"	278-3/4"	279-3/4"	279-3/4"	279-3/4"	286-3/4"	299-3/4"	299-3/4"	
*Rated Capacity (2)	25,000#	30,000#	50,000#	60,000#	60,000#	75,000#	60,000#	60,000#	60,000#	
*Lift Cylinders	5"x3"x54" DA	5"x3"x54" DA	6"x4-1/2"x72" DA	6"x4-1/2"x72" DA	6-5-4"x118" DAT	6-5-4"x118" DAT	6-5"x94" DAT	6-5"x114" DAT	6-5-4"x118" DAT	
*Winch Cylinders	5"x3"x66" DA	5"x3"x66" DA	6"x3"x80" DA	7"x3"x80" DA	7"x3"x80" DA	7"x3"x80" DA	7"x3"x80" DA	7"x3"x90" DA	7"x3"x90" DA	
*Cable-EXIWR 6x37	5/8" Dia.	5/8" Dia.	3/4" Dia.	7/8" Dia.	7/8" Dia.	7/8" Dia.	7/8" Dia.	7/8" Dia.	7/8" Dia.	
*Recommended Container Length (4)	14' - 18'	14' - 20'	18' - 22'	18' - 22'	18' - 22'	18' - 22'	18' - 22'	20' - 24'	20' - 24'	
*Approx. Weights	4,863 Lbs.	4,777 Lbs.	5,973 Lbs.	6,737 Lbs.	6,769 Lbs.	7,556 Lbs.	6,818 Lbs.	7,184 Lbs.	7,046 Lbs.	
Approx. Operating Times*	Up	28 Sec.	28 Sec.	30 Sec.	30 Sec.	33 Sec.	38 Sec.	33 Sec.	41 Sec.	33 Sec.
	Down	18 Sec.	18 Sec.	13 Sec.	13 Sec.	15 Sec.	7 Sec.	20 Sec.	24 Sec.	15 Sec.
	On	34 Sec.	34 Sec.	34 Sec.	46 Sec.	46 Sec.	46 Sec.	46 Sec.	51 Sec.	51 Sec.
	Off	22 Sec.	22 Sec.	25 Sec.	37 Sec.	37 Sec.	37 Sec.	37 Sec.	42 Sec.	42 Sec.

- (1) Using 10:00 x 20" Tires Only. For 22" Tires, See "F" Measurement.
 - (2) Factory Tested With Recommended Container Length And Water Level Load.
 - (3) When Used As Tandem. If Pusher Axle Is Added, "F" = 148" and "G" = 168".
 - (4) When Recommending Container Lengths, Weight Distribution, Fender Interference, And Overhang Are Factors.
 - (5) Frame = Top Of Truck Chassis Frame.
 - (6) When Used As Tandem. If Pusher Axle Is Added, "F" = 150-1/2".
 - (7) When Used As Tandem. If Pusher Axle Is Added, Axle Spread Is 108". For Use In Michigan.
- *Theoretical Cycle Times Based On 20 GPM For Single Axle And 35 GPM For Tandem Axle.

ALL OUTSIDE RAIL "OR" MODELS

Hoist Frame - 8" x 4" x 1/2" A500 Grade C Tubing*
 Sub Frame - 3" x 2" x 3/16" A500 Grade C Tubing **
 Front Stop - 1-1/2" Plate Steel
 Safety Lock - Automatic Spring Loaded
 Lift Cylinder Shafts - 2-1/2" Solid Steel
 Hinge Shaft
 Single Axle - 1-15/16" Solid Steel
 Tandem Axle - 2-1/2" Solid Steel (**Standard**)
 Cable Anchor - 4 Cable Clamps
 Cable End - Swage End With Swivel Eye
 Rear Hold Downs - 1" Plate Steel Located For Standard
 Galbreath Containers

Operating Pressure - 1850 PSI
 Hydraulic Pump - Gear Type 35 G.P.M. @ 1500 R.P.M.
 Hydraulic Valve - 2 Spool/45 G.P.M. With Safety By-Pass
 Oil Reservoir - 50 Gal. With 25 Micron Filter And Screen Fill
 Outside Rollers - 4" O.D. With Bronze Bearings
 Cable Sheaves - 10" O.D. With Bronze Bearings
 Working Points - Greasable
 *8" x 3" x 3/8" A500 Grade C Tubing On U2-OR & U3-OR Models
 *8" x 4" x 3/8" A500 Grade C Tubing On U4-OR Models
 **4" x 3" x 1/4" A500 Grade C Tubing on U2-OR & U3-OR Models



DIMENSION "X"								
All models except U2-OR-138 & U3-OR-156			U2-OR-138			U3-OR-156		
12ft	ADDITIONAL INFO NEEDED		12ft	LENGTH NOT RECOMMENDED		12ft	LENGTH NOT RECOMMENDED	
13ft	145 1/2"	+1"/-0"	13ft	LENGTH NOT RECOMMENDED		13ft	LENGTH NOT RECOMMENDED	
14ft	145 1/2"	+1"/-0"	14ft	158"	+1"/-0"	14ft	149"	+1"/-0"
15ft	149"	+1"/-0"	15ft	158"	+1"/-0"	15ft	173"	+1"/-0"
16ft	149"	+1"/-0"	16ft	158"	+1"/-0"	16ft	173"	+1"/-0"
17ft	173"	+1"/-0"	17ft	158"	+1"/-0"	17ft	173"	+1"/-0"
18ft	173"	+1"/-0"	18ft	158"	+1"/-0"	18ft	173"	+1"/-0"
19ft&longer	191"	+1"/-0"	19ft&longer	LENGTH NOT RECOMMENDED		19ft&longer	173"	+1"/-0"

RECOMMENDED TRUCK FRAME SPECIFICATIONS

Single Axle:

Front Axle: 9,000# (Min.) Capacity w/ Power Steering
 Rear Axle: 22,400# Capacity (Min.)
 36,000 PSI Chassis Frames - Minimum Section Modulus = 24.3 in.3
 50,000 PSI or More Chassis Frames - Minimum Section Modulus = 17.5 in.3

Tandem Axle:

Front Axle: 18,000# (Min.) Capacity w/ Power Steering
 Rear Tandem: 44,000# (Min.) Capacity w/ Walking Beam Suspension
 36,000 PSI Chassis Frames - Minimum Section Modulus = 33.3 in.3
 50,000 PSI or More Chassis Frames - Minimum Section Modulus = 24 in.3

NOTE: Check Local Regulations. Operator is Responsible for Compliance with Local, State, and Federal Weight Regulations.