



GALBREATH INCORPORATED  
 Corporate Headquarters  
 461 E. Rosser Drive, P.O. Box 220  
 Winamac, IN 46996  
 Ph: 574-946-6631 Fax: 574-946-4579  
 800-285-0666 (Inside USA)

Southwest Sales  
 Ph: 817-477-4574 Fax: 817-473-7657  
 800-297-0668 (Inside USA)

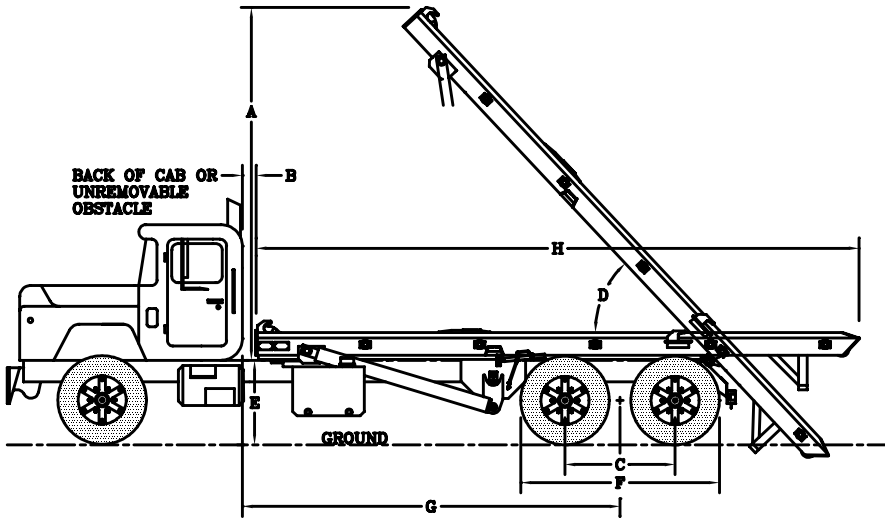
Highway 75 South, Route #1  
 Ider, AL 35981  
 Ph: 256-657-6140 Fax: 256-657-6147  
 800-964-6478 (Inside USA)

GENUINE ALL STAR PARTS  
 800-946-9476 FAX: 574-946-4579

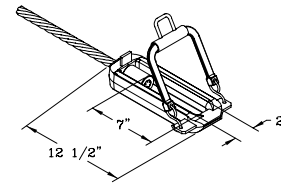
<http://www.galbreath-inc.com>

# Specifications

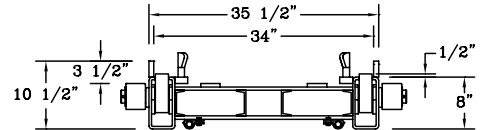
## Inside/Outside Rail "IO" Model Hoists



SWIVEL CABLE END



HOIST FRAME DETAIL



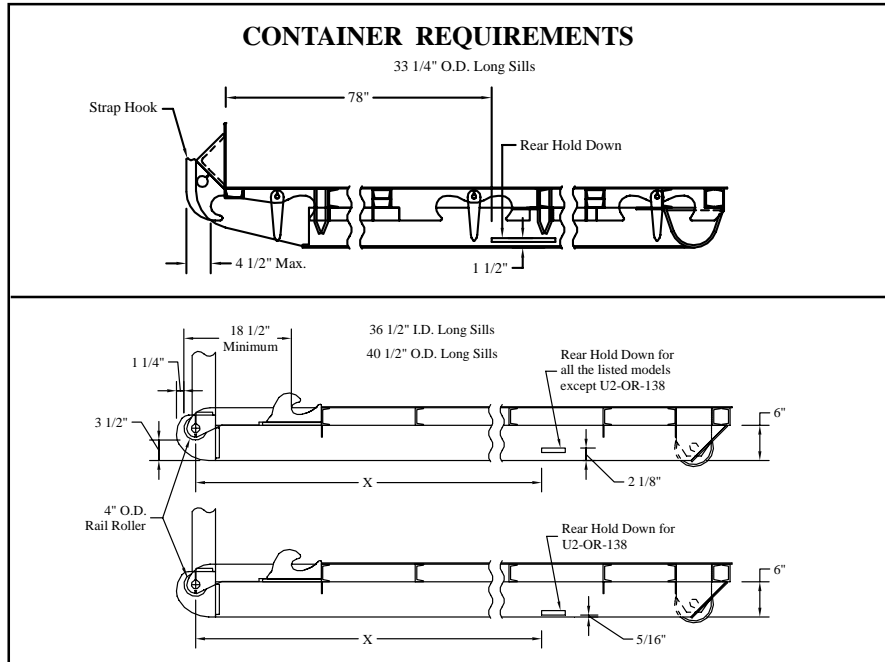
	SINGLE AXLE	TANDEM AXLE								
HOIST MODELS	U3-IO-156	U5-IO-174	UH-IO-174	UT-IO-174	UX-IO-178	U5-IO-182	UT-IO-182	U5-IO-194	UT-IO-194	
A-Approx. Ht. Above Frame (5)	160"	164"	165"	164"	178"	172"	172"	182"	179-1/2"	
B-Cab to Hoist	5"	6"	6"	6"	6"	6"	6"	6"	6"	
C-Axle spread	-	51" - 55" (1)	51" - 55" (1)	51" - 55" (1)	54" - 60" (1)	51" - 55" (1)	51" - 55" (1)	51" - 55" (1)	51" - 55" (1)	
D-Raised Angle	51°	47°	47°	47°	52°	47-1/2°	47-1/2°	48°	48°	
E-Frame to Ground Ht. (5)	43" Max.	43" Max.	43" Max.	43" Max.	46" Max.	43" Max.	43" Max.	43" Max.	43" Max.	
F-Tire O.D. to O.D.	-	96" Max.	96" Max (6)	96" Max (6)	108" Max.	96" Max.	96" Max.	96" Max. (3)	96" Max. (6)	
G-Cab to Axle	156"	174"	174"	174"	178"	182"	182"	194"	194"	
H-Hoist Length	244"	279"	279"	279"	287"	287"	287"	299"	299"	
*Rated Capacity (2)	30,000#	60,000#	75,000#	60,000#	60,000#	60,000#	60,000#	60,000#	60,000#	
*Lift Cylinders	5"x3"x54" DA	6"x4-1/2"x72" DA	6-5-4"x118" DAT	6-5-4"x118" DAT	6-5"x94" DAT	6"x4-1/2"x72" DA	6-5-4"x118" DAT	6-5"x114" DAT	6-5-4"x118" DAT	
*Winch Cylinders	5"x3"x66" DA	7"x3"x80" DA	7"x3"x80" DA	7"x3"x80" DA	7"x3"x80" DA	7"x3"x80" DA	7"x3"x80" DA	7"x3"x90" DA	7"x3"x90" DA	
*Cable-EXIWRC 6x37	5/8" Dia.	7/8" Dia.	7/8" Dia.	7/8" Dia.	7/8" Dia.	7/8" Dia.	7/8" Dia.	7/8" Dia.	7/8" Dia.	
*Recommended Container Length (4)	14' - 18'	18' - 22'	18' - 22'	18' - 22'	18' - 22'	18' - 22'	18' - 22'	20' - 24'	20' - 24'	
*Approx. Weights	5,402 Lbs.	7,294 Lbs.	7,562 Lbs.	7,323 Lbs.	7,266 Lbs.	7,355 Lbs.	7,401 Lbs.	7,756 Lbs.	7,618 Lbs.	
Approx. Operating Times*	Up	28 Sec.	30 Sec.	38 Sec.	33 Sec.	33 Sec.	30 Sec.	33 Sec.	41 Sec.	33 Sec.
	Down	18 Sec.	13 Sec.	7 Sec.	15 Sec.	20 Sec.	13 Sec.	15 Sec.	24 Sec.	15 Sec.
	On	34 Sec.	46 Sec.	46 Sec.	46 Sec.	46 Sec.	46 Sec.	46 Sec.	51 Sec.	51 Sec.
	Off	22 Sec.	37 Sec.	37 Sec.	37 Sec.	37 Sec.	37 Sec.	37 Sec.	42 Sec.	42 Sec.

- (1) Using 10:00 x 20" Tires Only. For 22" Tires, See "F" Measurement.
  - (2) Factory Tested With Recommended Container Length And Water Level Load.
  - (3) When Used As Tandem. If Pusher Axle Is Added, "F" = 148" and "G" = 168".
  - (4) When Recommending Container Lengths, Weight Distribution, Fender Interference, And Overhang Are Factors.
  - (5) Frame = Top Of Truck Chassis Frame.
  - (6) When Used As Tandem. If Pusher Axle Is Added, "F" = 150-1/2".
  - (7) When Used As Tandem. If Pusher Axle Is Added, Axle Spread Is 108". For Use In Michigan.
- \*Theoretical Cycle Times Based On 20 GPM For Single Axle And 35 GPM For Tandem Axle.

# ALL INSIDE/OUTSIDE RAIL "IO" MODELS

Hoist Frame - 8" x 4" x 1/2" A500 Grade C Tubing\*  
 Sub Frame - 3" x 2" x 3/16" A500 Grade C Tubing \*\*  
 Front Stop - 1-1/2" Plate Steel  
 Safety Lock - Automatic Spring Loaded  
 Lift Cylinder Shafts - 2-1/2" Solid Steel  
 Hinge Shaft  
     *Single Axle* - 1-15/16" Solid Steel  
     *Tandem Axle* - 2-1/2" Solid Steel (**Standard**)  
 Cable Anchor - 4 Cable Clamps  
 Cable End - Swage End With Swivel Eye  
 Rear Hold Downs - 1" Plate Steel Located For Standard  
     Galbreath Containers

Operating Pressure - 1850 PSI  
 Hydraulic Pump - Gear Type 35 G.P.M. @ 1500 R.P.M.  
 Hydraulic Valve - 2 Spool/45 G.P.M. With Safety By-Pass  
 Oil Reservoir - 50 Gal. With 25 Micron Filter And Screen Fill  
 Outside Rollers - 4" O.D. With Bronze Bearings  
 Inside Rollers (Optional) - 6" O.D. With Bronze Bearings  
 Cable Sheaves - 10" O.D. With Bronze Bearings  
 Working Points - Greasable  
     \*8" x 3" x 3/8" A500 Grade C Tubing On U3-IO Models  
     \*\*4" x 3" x 1/4" A500 Grade C Tubing on U3-IO Models



DIMENSION "X"								
All models except U2-OR-138 & U3-OR-156			U2-OR-138			U3-OR-156		
12ft	ADDITIONAL INFO NEEDED		12ft	LENGTH NOT RECOMMENDED		12ft	LENGTH NOT RECOMMENDED	
13ft	145 1/2"	+1"/-0"	13ft	LENGTH NOT RECOMMENDED		13ft	LENGTH NOT RECOMMENDED	
14ft	145 1/2"	+1"/-0"	14ft	158"	+1"/-0"	14ft	149"	+1"/-0"
15ft	149"	+1"/-0"	15ft	158"	+1"/-0"	15ft	173"	+1"/-0"
16ft	149"	+1"/-0"	16ft	158"	+1"/-0"	16ft	173"	+1"/-0"
17ft	173"	+1"/-0"	17ft	158"	+1"/-0"	17ft	173"	+1"/-0"
18ft	173"	+1"/-0"	18ft	158"	+1"/-0"	18ft	173"	+1"/-0"
19ft & longer	191"	+1"/-0"	19ft & longer	LENGTH NOT RECOMMENDED		19ft & longer	173"	+1"/-0"

## RECOMMENDED TRUCK FRAME SPECIFICATIONS

**Single Axle:**

Front Axle: 9,000# (Min.) Capacity w/ Power Steering

Rear Axle: 22,400# Capacity (Min.)

36,000 PSI Chassis Frames - Minimum Section Modulus = 24.3 in.<sup>3</sup>

50,000 PSI or More Chassis Frames - Minimum Section Modulus = 17.5 in.<sup>3</sup>

**Tandem Axle:**

Front Axle: 18,000# (Min.) Capacity w/ Power Steering

Rear Tandem: 44,000# (Min.) Capacity w/ Walking Beam Suspension

36,000 PSI Chassis Frames - Minimum Section Modulus = 33.3 in.<sup>3</sup>

50,000 PSI or More Chassis Frames - Minimum Section Modulus = 24 in.<sup>3</sup>

*NOTE: Check Local Regulations. Operator is Responsible for Compliance with Local, State, and Federal Weight Regulations.*