



GALBREATH INCORPORATED
 Corporate Headquarters
 461 E. Rosser Drive, P.O. Box 220
 Winamac, IN 46996
 Ph: 574-946-6631 Fax: 574-946-4579
 800-285-0666 (Inside USA)

Southwest Sales
 Ph: 817-477-4574 Fax: 817-473-7657
 800-297-0668 (Inside USA)

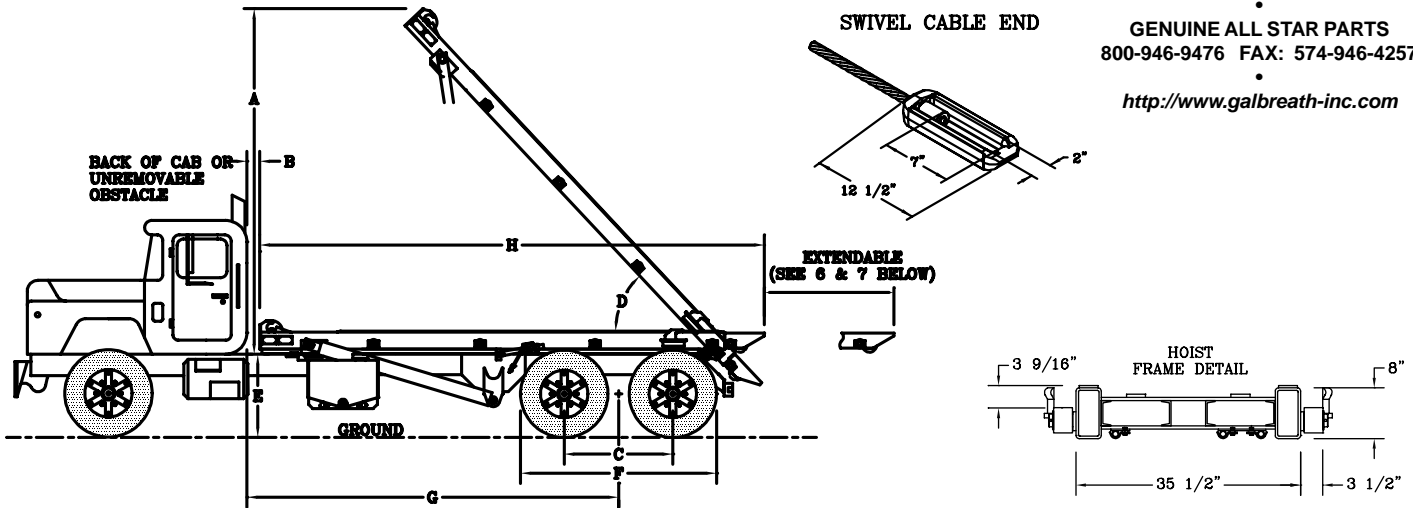
Highway 75 South, Route #1
 Ider, AL 35981
 Ph: 256-657-6140 Fax: 256-657-6147
 800-964-6478 (Inside USA)

GENUINE ALL STAR PARTS
 800-946-9476 FAX: 574-946-4257

<http://www.galbreath-inc.com>

Specifications

Extendable Tail "EX" Model Hoists



| HOIST MODELS | SINGLE AXLE | | | TANDEM AXLE | | | | | |
|-----------------------------------|---------------|---------------|---------------|------------------|------------------|-----------------|---------------|-----------------|---------------|
| | U2-EX-119 | U2-EX-138 | U3-EX-156 | U4-EX-174 | U5-EX-174 | UT-EX-174 | U5-EX-194 | UT-EX-194 | UM-EX-194 |
| A-Approx. Ht. Above Frame (5) | 131" | 144" | 159-1/2" | 162" | 162" | 163" | 180" | 179" | 180" |
| B-Cab to Hoist | 6" | 6" | 6" | 6" | 6" | 6" | 6" | 6" | 6" |
| C-Axle spread | - | - | - | 51" - 55" (1) | 51" - 55" (1) | 51" - 55" (1) | 51" - 55" (1) | 51" - 55" (1) | 51" - 55" (1) |
| D-Raised Angle | 51° | 51° | 54° | 47° | 47° | 48° | 48° | 48° | 48° |
| E-Frame to Ground Ht. (5) | 41" | 41" | 41" | 48" Max. | 48" Max. | 48" Max. | 48" Max. | 48" Max. | 48" Max. |
| F-Tire O.D. to O.D. | - | - | - | 96" | 96" | 96" (8) | 96" (3) | 96" (8) | 96" (9) |
| G-Cab to Axle | 119" | 138" | 156" | 174" | 174" | 174" | 194" | 194" | 194" |
| H-Hoist Length | 173-1/4" (7) | 189-1/2" (7) | 206" (7) | 237" (6) | 237" (6) | 237" (6) | 257" (6) | 257" (6) | 257" (6) |
| *Rated Capacity (2) | 20,000# | 25,000# | 30,000# | 50,000# | 60,000# | 60,000# | 60,000# | 60,000# | 60,000# |
| *Lift Cylinders | 5"x3"x54" DA | 5"x3"x54" DA | 5"x3"x54" DA | 6"x4-1/2"x72" DA | 6"x4-1/2"x72" DA | 6-5-4"x118" DAT | 6-5"x114" DAT | 6-5-4"x118" DAT | 6-5"x79" DAT |
| *Winch Cylinders | 5"x3"x54" DA | 5"x3"x66" DA | 5"x3"x66" DA | 6"x3"x80" DA | 7"x3"x80" DA | 7"x3"x80" DA | 7"x3"x90" DA | 7"x3"x90" DA | 7"x3"x90" DA |
| *Tail Cylinders | 3-1/2"x60" DA | 3-1/2"x60" DA | 3-1/2"x60" DA | 3-1/2"x80" DA | 3-1/2"x80" DA | 3-1/2"x80" DA | 3-1/2"x80" DA | 3-1/2"x80" DA | 3-1/2"x80" DA |
| *Cable-EXIWRC 6x37 | 5/8" Dia. | 5/8" Dia. | 5/8" Dia. | 3/4" Dia. | 7/8" Dia. | 7/8" Dia. | 7/8" Dia. | 7/8" Dia. | 7/8" Dia. |
| *Recommended Container Length (4) | 12' - 14' | 14' - 16' | 14' - 16' | 18' - 22' | 18' - 22' | 18' - 22' | 20' - 24' | 20' - 24' | 20' - 24' |
| *Approx. Weights | 4,878 Lbs. | 5,184 Lbs. | 5,232 Lbs. | 6,530 Lbs. | 7,117 Lbs. | 7,154 Lbs. | 7,640 Lbs. | 7,252 Lbs. | 7,434 Lbs. |
| <i>Approx. Operating Times*</i> | Up | 28 Sec. | 28 Sec. | 28 Sec. | 30 Sec. | 33 Sec. | 41 Sec. | 33 Sec. | 28 Sec. |
| | Down | 18 Sec. | 18 Sec. | 18 Sec. | 13 Sec. | 13 Sec. | 15 Sec. | 24 Sec. | 16 Sec. |
| | On | 28 Sec. | 34 Sec. | 34 Sec. | 34 Sec. | 46 Sec. | 46 Sec. | 51 Sec. | 51 Sec. |
| | Off | 18 Sec. | 22 Sec. | 22 Sec. | 25 Sec. | 37 Sec. | 37 Sec. | 42 Sec. | 42 Sec. |
| | Tail Out | 15 Sec. | 15 Sec. | 15 Sec. | 12 Sec. | 12 Sec. | 12 Sec. | 12 Sec. | 12 Sec. |
| | Tail In | 7 Sec. | 7 Sec. | 7 Sec. | 6 Sec. | 6 Sec. | 6 Sec. | 6 Sec. | 6 Sec. |

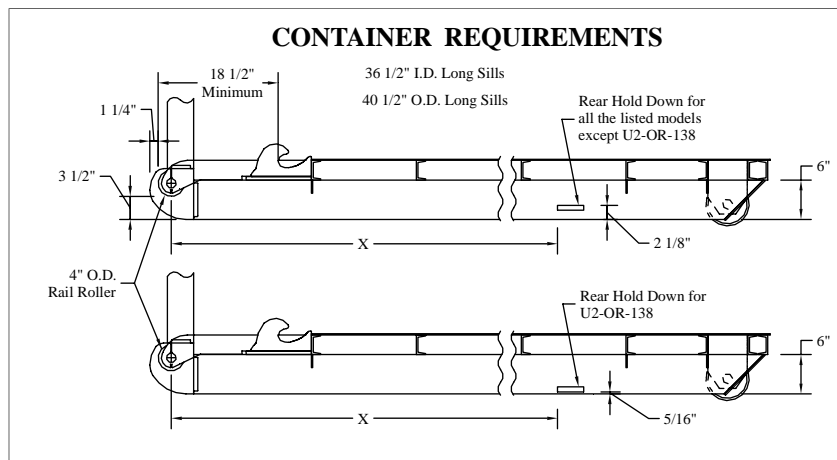
- (1) Using 10:00 x 20" Tires Only. For 22" Tires, See "F" Measurement.
 - (2) Factory Tested With Recommended Container Length And Water Level Load.
 - (3) When Used As Tandem. If Pusher Axle Is Added, "F" = 148" and "G" = 168".
 - (4) When Recommending Container Lengths, Weight Distribution, Fender Interference, And Overhang Are Factors.
 - (5) Frame = Top Of Truck Chassis Frame.
 - (6) Add 80" With Tail Fully Extended On Tandem Hoists.
 - (7) Add 60" With Tail Fully Extended On Single Axle Hoists.
 - (8) When Used As Tandem. If Pusher Axle Is Added, "F" = 150-1/2".
 - (9) When Used As Tandem. If Pusher Axle Is Added, Axle Spread Is 108". For Use In Michigan.
- *Theoretical Cycle Times Based On 20 GPM For Single Axle And 35 GPM For Tandem Axle.

ALL EXTENDABLE TAIL "EX" MODELS

Hoist Frame - 8" x 4" x 3/8" A500 Grade C Tubing*
 Tail Frame - 7" x 3" x 1/2" A500 Grade C Tubing**
 Sub Frame - 3" x 2" x 3/16" A500 Grade C Tubing ***
 Front Stop - 1-1/2" Plate Steel
 Safety Lock - Automatic Spring Loaded
 Lift Cylinder Shafts - 2-1/2" Solid Steel
 Hinge Shaft
 Single Axle - 1-15/16" Solid Steel
 Tandem Axle - 2-1/2" Solid Steel (**Standard**)
 Cable Anchor - 4 Cable Clamps
 Cable End - Swage End With Swivel Eye
 Rear Hold Downs - 1" Plate Steel Located For Standard
 Galbreath Containers

Operating Pressure - 1850 PSI
 Hydraulic Pump - Gear Type 35 G.P.M. @ 1500 R.P.M.
 Hydraulic Valve - 3 Spool/45 G.P.M. With Safety By-Pass
 Oil Reservoir - 50 Gal. With 25 Micron Filter And Screen Fill
 Outside Rollers - 4" O.D. With Bronze Bearings
 Cable Sheaves - 10" O.D. With Bronze Bearings
 Working Points - Greasable

*8" x 3" x 3/8" A500 Grade C Tubing On U2-EX & U3-EX Models
 **3/8" x 3" T1 (A514) Steel Wear Strip Added To All U5 Models
 **6" x 2" x 3/8" A500 Grade C Tubing On U2-EX & U3-EX Models
 ***4" x 3" x 1/4" A500 Grade C Tubing on U2-EX & U3-EX Models



| DIMENSION "X" | | | | | | | | |
|---|------------------------|---------|-------------|------------------------|---------|-------------|------------------------|---------|
| All models except U2-OR-138 & U3-OR-156 | | | U2-OR-138 | | | U3-OR-156 | | |
| 12ft | ADDITIONAL INFO NEEDED | | 12ft | LENGTH NOT RECOMMENDED | | 12ft | LENGTH NOT RECOMMENDED | |
| 13ft | 145 1/2" | +1"/-0" | 13ft | LENGTH NOT RECOMMENDED | | 13ft | LENGTH NOT RECOMMENDED | |
| 14ft | 145 1/2" | +1"/-0" | 14ft | 158" | +1"/-0" | 14ft | 149" | +1"/-0" |
| 15ft | 149" | +1"/-0" | 15ft | 158" | +1"/-0" | 15ft | 173" | +1"/-0" |
| 16ft | 149" | +1"/-0" | 16ft | 158" | +1"/-0" | 16ft | 173" | +1"/-0" |
| 17ft | 173" | +1"/-0" | 17ft | 158" | +1"/-0" | 17ft | 173" | +1"/-0" |
| 18ft | 173" | +1"/-0" | 18ft | 158" | +1"/-0" | 18ft | 173" | +1"/-0" |
| 19ft&longer | 191" | +1"/-0" | 19ft&longer | LENGTH NOT RECOMMENDED | | 19ft&longer | 173" | +1"/-0" |

RECOMMENDED TRUCK FRAME SPECIFICATIONS

Single Axle:

Front Axle: 9,000# (Min.) Capacity w/ Power Steering

Rear Axle: 22,400# Capacity (Min.)

36,000 PSI Chassis Frames - Minimum Section Modulus = 24.3 in.³

50,000 PSI or More Chassis Frames - Minimum Section Modulus = 17.5 in.³

Tandem Axle:

Front Axle: 18,000# (Min.) Capacity w/ Power Steering

Rear Tandem: 44,000# (Min.) Capacity w/ Walking Beam Suspension

36,000 PSI Chassis Frames - Minimum Section Modulus = 33.3 in.³

50,000 PSI or More Chassis Frames - Minimum Section Modulus = 24 in.³

NOTE: Check Local Regulations. Operator is Responsible for Compliance with Local, State, and Federal Weight Regulations.