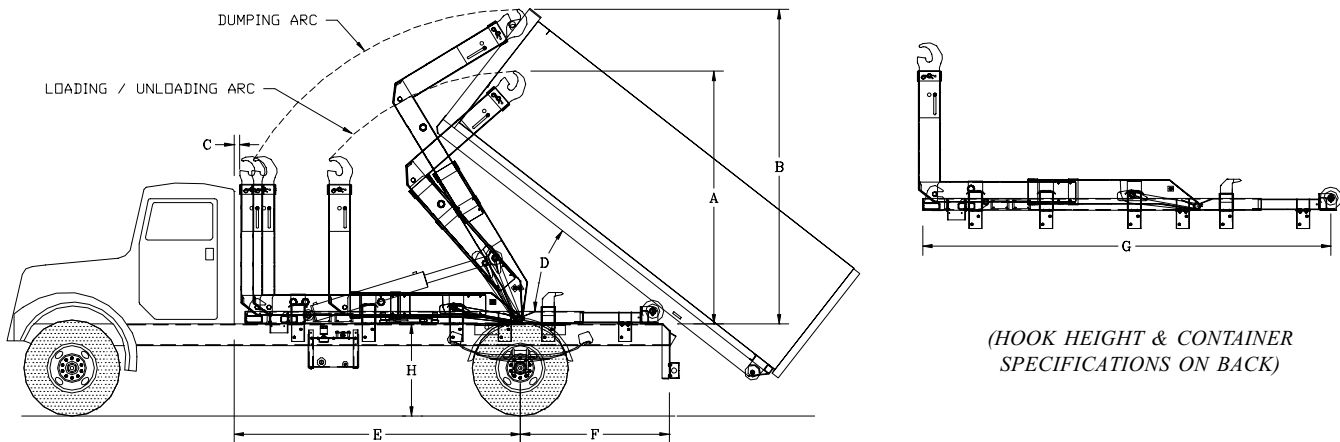


Specifications

U20-HK-120 / U20-HK-132 / U20-HK-144 HOOK HOISTS



(HOOK HEIGHT & CONTAINER SPECIFICATIONS ON BACK)

HOIST MODELS	U20-HK-120	U20-HK-132	U20-HK-144
* (A) MAXIMUM HOOK HEIGHT ABOVE TRUCK FRAME LOADING / UNLOADING	106 1/8"	106 1/8"	106 1/8"
* (B) MAXIMUM HOOK HEIGHT ABOVE TRUCK FRAME DUMPING	131 1/4"	131 1/4"	131 1/4"
(C) CAB TO HOIST	2 7/8"	2 7/8"	2 7/8"
(D) RAISED ANGLE	60° (12') - 46° (14') - 38° (16')	46° (14') - 38° (16')	46° (14') - 38° (16')
(E) CAB TO AXLE	120"	132"	144"
** (F) AFTER FRAME	39 1/2" or 63 1/2"	51 1/2"	39 1/2"
** (G) HOIST LENGTH	147 1/4" or 171 7/16"	171 7/16"	171 7/16"
(H) HOOK HEIGHT	(SEE BACK PAGE FOR DRAWING & DIMENSIONS)		
RATED CAPACITY	20,000 LBS.	20,000 LBS.	20,000 LBS.
LIFT CYLINDERS	5" X 3" X 52"	5" X 3" X 52"	5" X 3" X 52"
JIB CYLINDER	3" X 2" X 37"	3" X 2" X 37"	3" X 2" X 37"
RECOMMENDED CONTAINER LENGTH	12' - 14' or 14' - 16'	14' - 16'	14' - 16'
APPROX. WEIGHT	2,971 LBS	2,971 LBS	2,971 LBS

(1) FACTORY TESTED WITH RECOMMENDED CONTAINER LENGTH AND WATER LEVEL LOAD.

(2) WHEN RECOMMENDING CONTAINER LENGTHS; WEIGHT DISTRIBUTION, DUMP ANGLE, AND OVERHANG ARE FACTORS.

* TOTAL MAXIMUM HEIGHT WILL DEPEND ON CONTAINER. CONSULT ENGINEERING FOR CLEARANCE

** CONSULT ENGINEERING FOR BEST CONFIGURATION

MODEL U20-HK-120 / U20-HK-132 / U20-HK-144

HOIST FRAME - STRUCTURAL TUBING 62,000 LBS. MIN TENSILE A500 GRADE C

JIB FRAME - A514 T-1 100,000 PSI MINIMUM YIELD

PIVOT TUBE - A514 T-1 100,000 PSI MINIMUM YIELD

PICKUP HOOK - A514 T-1 100,000 PSI MINIMUM YIELD

LIFT CYLINDER PINS - 1 1/2" SOLID

HINGE SHAFT - 2" SOLID WITH OUTBOARD SUPPORTED UPPER LIFT SHAFTS

REAR HOLD DOWN - 1" PLATE

OPERATING PRESSURE - 3500 PSI

HYDRAULIC PUMP - GEAR TYPE - 37.5 G.P.M. - 1500 RPM

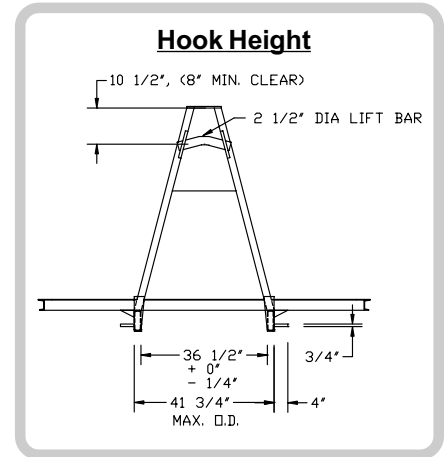
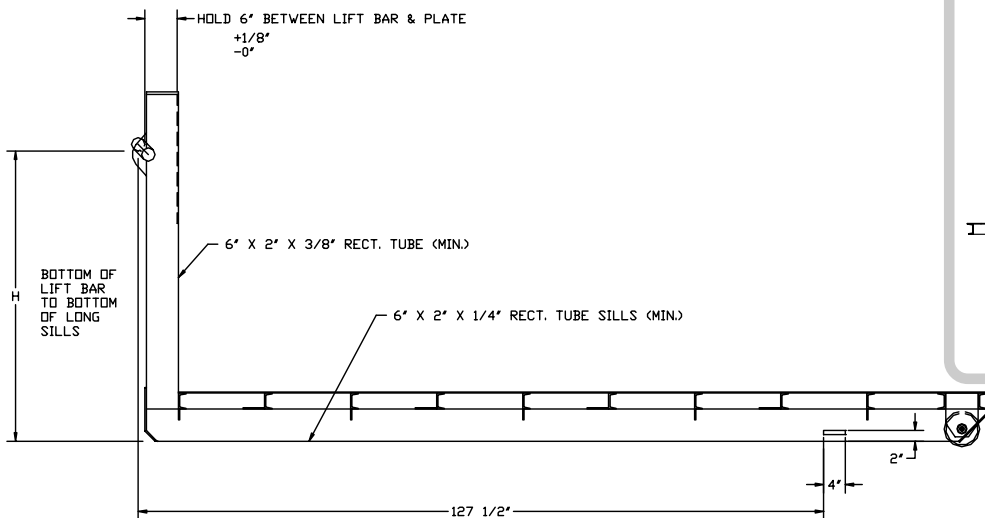
HYDRAULIC VALVE - 2 SPOOL SECTIONAL VALVE WITH SAFETY BY-PASS

OIL RESERVOIR - 13 GALLON WITH 10 MICRON AIR BREATHER

25 MICRON IN TANK RETURN FILTER

WORKING POINTS - GREASEABLE

CONTAINER SPECIFICATIONS



HOIST MODELS	U20-HK-120	U20-HK-132	U20-HK-144
(H) HOOK HEIGHT	Adjustable to 54" or 61 3/4"	Adjustable to 54" or 61 3/4"	Adjustable to 54" or 61 3/4"

CYCLE TIMES AT APPROXIMATELY 37.5 GPM

EXTENDING DUMP - 14 SECONDS

RETRACTING DUMP - 9 SECONDS

EXTENDING JIB - 2 SECONDS

RETRACTING JIB - 1 SECONDS

THE GALBREATH 20,000 LB. HOOK HOIST WILL ACCOMMODATE EITHER A 120" OR 132" OR 144" CA CHASSIS.

MINIMUM TRUCK SPECIFICATIONS

FRONT AXLE: 8,000 LB. (WITH POWER STEERING)

REAR AXLE: 18,000 LB.

36,000 PSI CHASSIS FRAME: MINIMUM SECTION MODULUS = 21.5 IN³

50,000 PSI CHASSIS FRAME OR MORE: MINIMUM SECTION MODULUS = 15.5 IN³