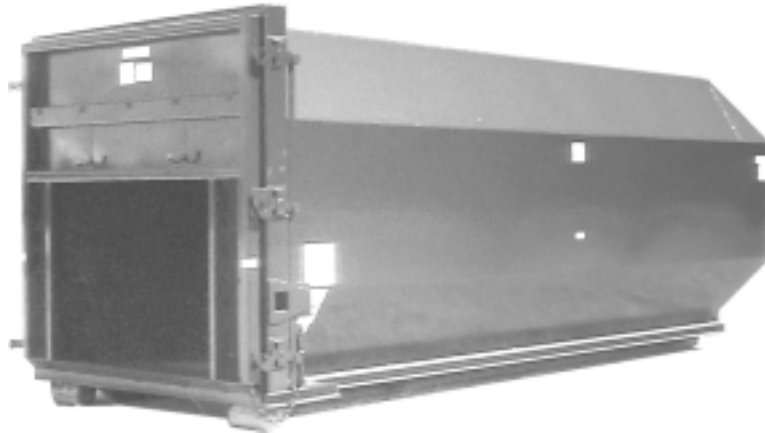




Packer Receiver Roll-off Containers

MODEL SPECIFICATIONS



OPR Model Specifications

STANDARD

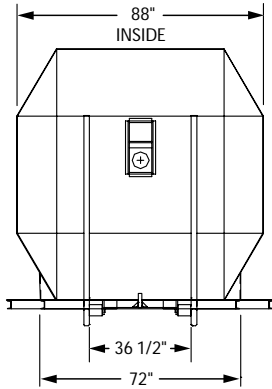
- 7 gauge floor and sides
- 10 gauge roof & front
- 6" X 2" X 1/4" rectangular tube long sills
- 3" structural channel cross members on 16" centers. Each cross member is gusseted & welded to the long sill
- 6 5/8" O.D. rear rollers (except bale style)
- Inspection door at front of container
- Heavy duty one piece grab pockets for compactor attachment
- Solid steel nose cone added to the front of the long sills to reduce impact damage
- Serial number welded to container
- Heavy duty rear door hinges with grease fittings
- Maximum compactor door opening (48" high X 64 1/2" wide)
- Flush with tarp pin off rear door
- Ratchet type rear door hinges with grease fittings
- Rear door safety chain & brackets
- Rear door hinged streetside
- Rear container hold downs
- Greaseable wear points
- Outside rail understructure
- Primed & finish painted any standard Galbreath color

OPTIONS

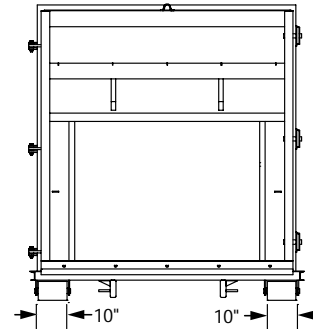
- 6" X 2" X 3/8" extra heavy duty long sills
- 6 5/8" or 10 3/4" O.D. X 8" front rollers
- 10 3/4" O.D. X 10" rear rollers (except bale style)
- Tarp and spear or cable pin off rear door
- Deadlift, bale, and hooklift style understructures
- Rear door hinged curbside
- Contoured rear door

**Light duty model available for compactor
with 70,000# and under packing force.**

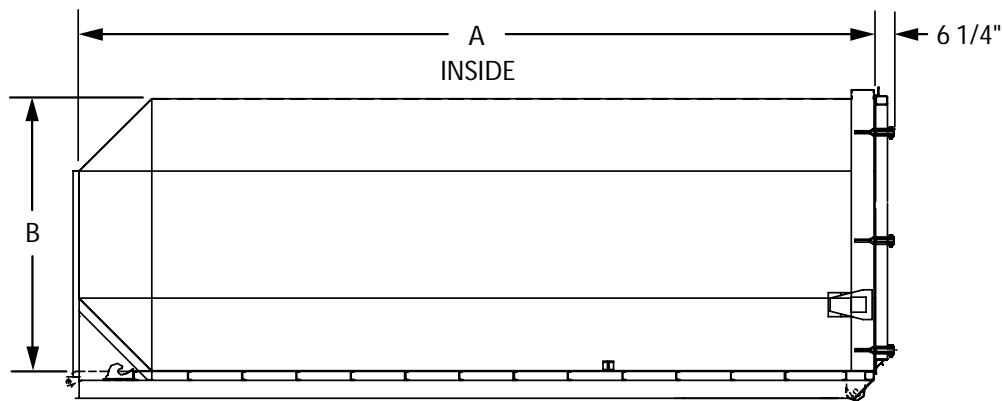
"OPR" MODEL SPECIFICATIONS



Front View



Back View



Side View

- (A) For overall Length add: 8 1/4"
- (B) For overall Height add: 13 1/4"

MODEL NUMBER	CAPACITY IN CU.YD.	INSIDE DIMENSIONS		APPROXIMATE SHIPPING WEIGHT
		A	B	
OPR-1890	33	18'	90"	6100#
OPR-2090	36	20'	90"	6610#
OPR-2290*	40	22'	90"	7130#
OPR-2490	44	24'	90"	7645#

*Stock containers in inventory.



CORPORATE HEADQUARTERS
 461 E. Rosser Drive, P.O. Box 220
 Winamac, IN 46996
 Ph: 574-946-6631 Fax: 574-946-4579
 800-285-0666

<http://www.galbreath-inc.com>

AFTERMARKET PARTS
 Ph: 800-946-9476 Fax: 574-946-4579

TEXAS FACILITY
 P.O. Box 530004
 Grand Prairie, Texas 75053-0004
 Ph: 817-477-4574 Fax: 817-473-7657
 800-297-0668

ALABAMA FACILITY
 Hwy 75 South, Rte. #1
 Ider, Alabama 35981
 Ph: 256-657-6140 Fax: 256-657-6147
 800-964-6478



!CAUTION! This equipment should be operated by properly trained personnel. Operators should become familiar with OSHA, ANSI, and any other applicable standards or laws for using this equipment. Improper use, misuse, or lack of maintenance could cause injury to people and/or property. Photos used in this brochure are illustrative only. We assume no liability or responsibility for proper training/operation of equipment not manufactured by Galbreath. We reserve the right to make changes at any time without notice. Information contained within this literature is intended to be the most accurate available at time of printing.