



Specifications

GP550 5 Cu. Yd. Stationary Compactor

GALBREATH INCORPORATED
 Corporate Headquarters
 461 E. Rosser Drive, P.O. Box 220
 Winamac, IN 46996
 Ph: 219-946-6631 Fax: 219-946-4579
 800-285-0666 (Inside USA)
 •
<http://www.galbreath-inc.com>
 •
 Mansfield, Texas
 Ph: 817-477-4574
 Fax: 817-473-7657
 800-297-0668 (Inside USA)
 •
 Ider, Alabama
 Ph: 256-657-6140
 Fax: 256-657-6147
 800-964-6478 (Inside USA)

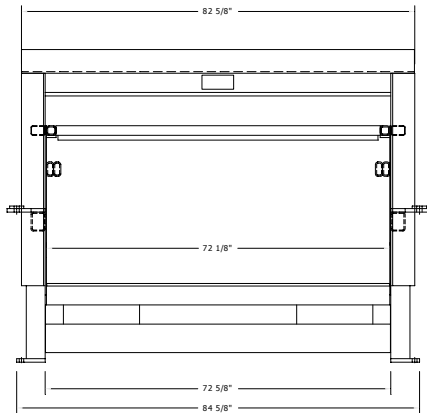
<i>MODEL NUMBER</i>		GP550
WASTECH Rating Size		4.19 cu. yd.
Clear Top Opening -	Length	87"
	Width	56"
Ram Penetration		24"
Chamber Length		90-1/2"
Ram Face -	Height	30"
	Width	72"
Cylinder Stroke		116"
Cylinder Bore		6"
Cylinder Rod Diameter		4-1/2"
Discharge Opening -	Height	44-1/2"
	Width	73-1/2"
Ground Height		24-1/2"
Scale Weight	Approx.	8,000 lbs.
Cycle Time		65.5 sec.
Pump Size		13 GPM
Motor Size		15 HP
Operating Pressure -	Normal	1950 PSI
	Maximum	2250 PSI
Force Rating -	Normal	25.5/55,100
	Maximum	29.4/63,600
Chamber Sides		1/4" Plate
Chamber Floor		1/2" AR Plate
Ram Top		1/4" Plate
Ram Sides		1/4" Plate
Ram Floor		1/4" Plate
Ram Face		1/2" Plate
Top Cover	Smooth Plate	12 Ga.
Volume Displacement Rate		230 cu. yd. per hr.

- ### *STANDARD FEATURES*
- Solid State Control System
 - External Power Plant
 - UL & Canadian UL Listed Industrial Control Panel
 - 15 HP, 208/230/460 Volt, 3 Phase Continuous Duty Motor
 - 37 Gallon Capacity Oil Tank
 - 40 Micron Air Filter
 - 200 Mesh Suction Filter in Reservoir
 - Oil Level Sight Gauge with Thermometer
 - 40 GPM Regenerative Hydraulic Control Valve
 - 3/4 Full Light (1550 PSI)
 - Container Full Light (1950 PSI)
 - Hold to Operate Mode
 - Hold to Operate Extend/Auto Retract Mode
 - 2 - 8 Multicycle Modes
 - Ram Stop Extended Mode
 - Operator's Controls on 15' Flexible Conduit
 - Claw Type Grab Hooks
 - Replaceable Nylon Ram Guides
 - 2 Year Limited Warranty

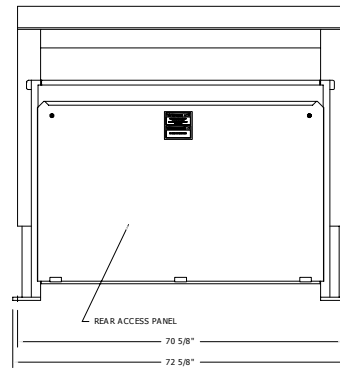
- ### *OPTIONAL FEATURES*
- Internal Power Plant
 - Electro-Mechanical Power Plant
 - Weather cover for Power Plant
 - Pressure Gauge
 - 500 Watt Oil Heater
 - Photoelectric Eye
 - Low Oil/High Temperature Shut Off Sensor
 - Interlock Switch On 30' Flexible Conduit
 - Hauler's Controls on 15' Flexible Conduit
 - Hoppers
 - Drive-On Deck
 - Chutes
 - 20 HP With 16 GPM Power Plant
 - Finish Paint Any Standard Galbreath Color

Galbreath
Compactors

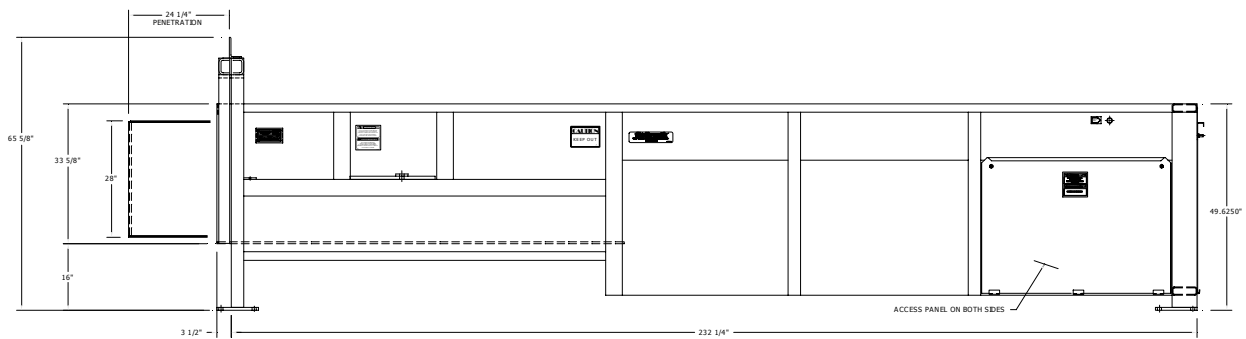
MODEL GP550
STATIONARY
COMPACTOR



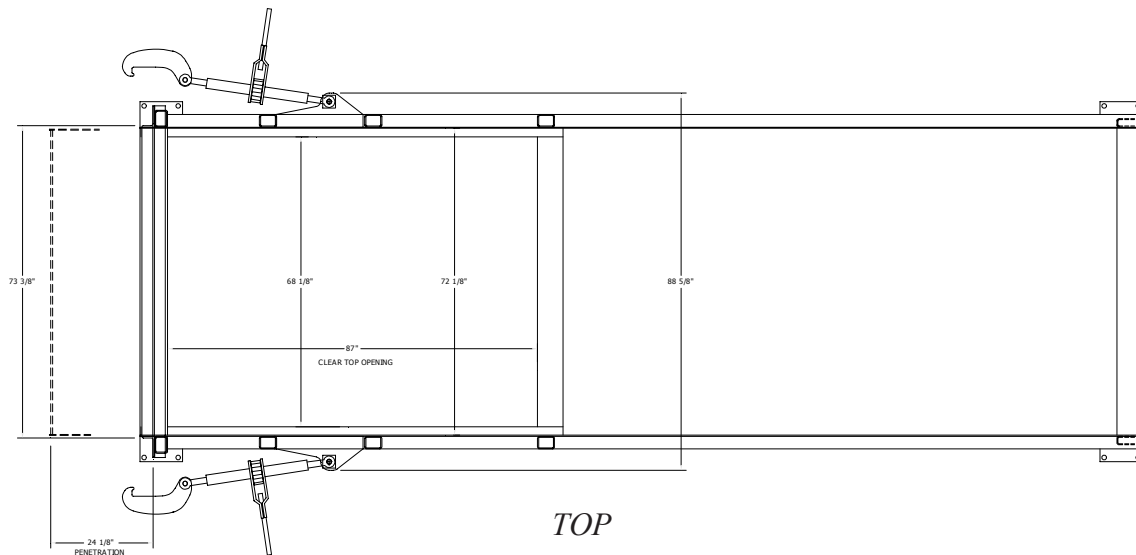
FRONT



REAR



SIDE



TOP