



# Specifications

## GP350HD 3 Cu. Yd. Stationary Compactor

**GALBREATH INCORPORATED**  
 Corporate Headquarters  
 461 E. Rosser Drive, P.O. Box 220  
 Winamac, IN 46996  
 Ph: 219-946-6631 Fax: 219-946-4579  
 800-285-0666 (Inside USA)  
 •  
<http://www.galbreath-inc.com>  
 •  
 Mansfield, Texas  
 Ph: 817-477-4574  
 Fax: 817-473-7657  
 800-297-0668 (Inside USA)  
 •  
 Ider, Alabama  
 Ph: 256-657-6140  
 Fax: 256-657-6147  
 800-964-6478 (Inside USA)

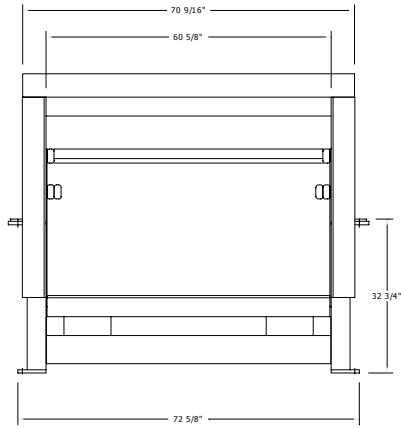
<i>MODEL NUMBER</i>		<b>GP350HD</b>
WASTECC Rating Size		2.54 cu. yd.
Clear Top Opening -	Length	67"
	Width	57"
Ram Penetration		18"
Chamber Length		70-1/2"
Ram Face -	Height	28"
	Width	60"
Cylinder Stroke		90"
Cylinder Bore		7"
Cylinder Rod Diameter		4-1/2"
Discharge Opening -	Height	42-1/2"
	Width	61-1/2"
Ground Height		16"
Scale Weight	Approx.	7,900 lbs.
Cycle Time		69.2 sec.
Pump Size		13 GPM
Motor Size		15 HP
Operating Pressure -	Normal	1950 PSI
	Maximum	2250 PSI
Force Rating -	Normal	44.6/75,000
	Maximum	51.5/86,500
Chamber Sides		3/8" Plate
Chamber Floor		3/4" AR Plate
Ram Top		3/8" Plate
Ram Sides		3/8" Plate
Ram Floor		3/8" Plate
Ram Face		3/4" Plate
Top Cover	Smooth Plate	12 Ga.
Volume Displacement Rate		132 cu. yd. per hr.

- ### *STANDARD FEATURES*
- Solid State Control System
  - External Power Plant
  - UL & Canadian UL Listed Industrial Control Panel
  - 15 HP, 208/230/460 Volt, 3 Phase Continuous Duty Motor
  - 37 Gallon Capacity Oil Tank
  - 40 Micron Air Filter
  - 200 Mesh Suction Filter in Reservoir
  - Oil Level Sight Gauge with Thermometer
  - 40 GPM Regenerative Hydraulic Control Valve
  - 3/4 Full Light (1550 PSI)
  - Container Full Light (1950 PSI)
  - Hold to Operate Mode
  - Hold to Operate Extend/Auto Retract Mode
  - 2 - 8 Multicycle Modes
  - Ram Stop Extended Mode
  - Operator's Controls on 15' Flexible Conduit
  - Claw Type Grab Hooks
  - Replaceable Nylon Ram Guides
  - 2 Year Limited Warranty

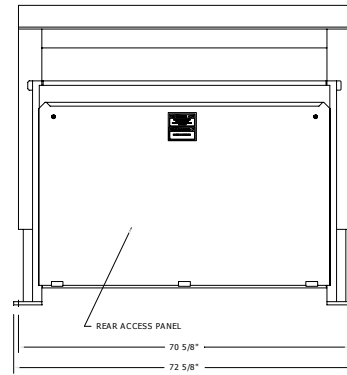
- ### *OPTIONAL FEATURES*
- Internal Power Plant
  - Electro-Mechanical Power Plant
  - Weather cover for Power Plant
  - Pressure Gauge
  - 500 Watt Oil Heater
  - Photoelectric Eye
  - Low Oil/High Temperature Shut Off Sensor
  - Interlock Switch On 30' Flexible Conduit
  - Hauler's Controls on 15' Flexible Conduit
  - Hoppers
  - Drive-On Deck
  - Chutes
  - 20 HP With 16 GPM Power Plant
  - Finish Paint Any Standard Galbreath Color

**Galbreath**  
Compactors

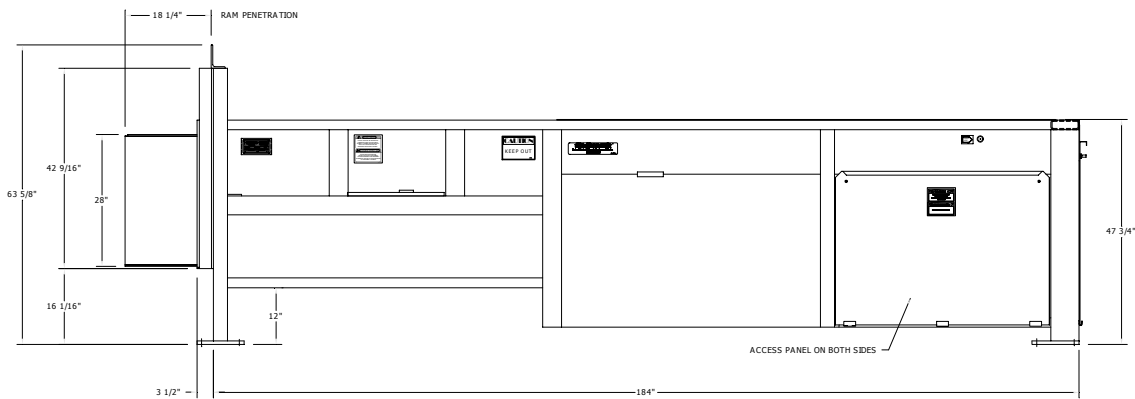
MODEL GP350HD  
STATIONARY  
COMPACTOR



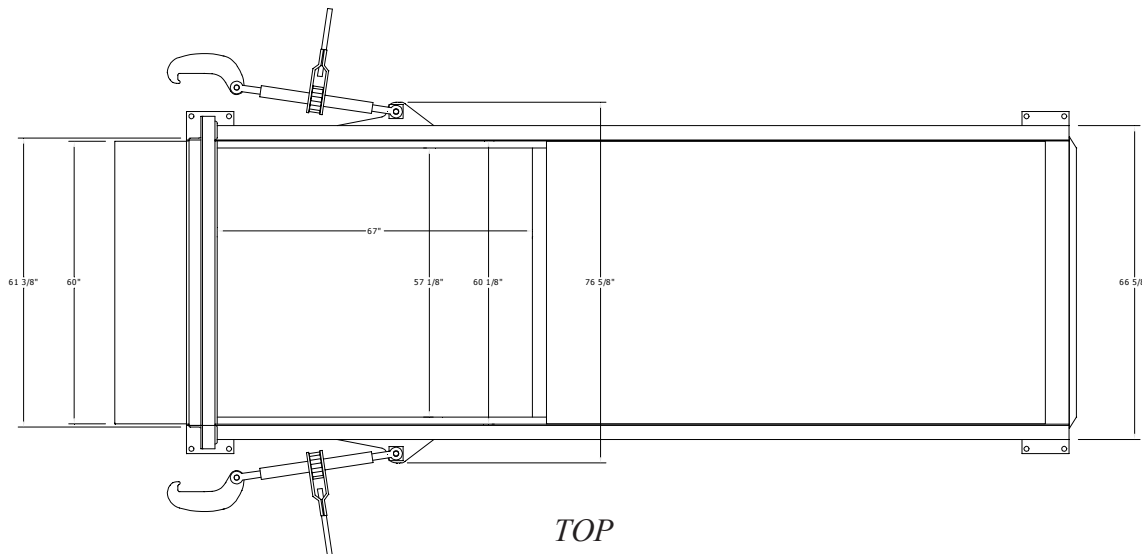
*FRONT*



*REAR*



*SIDE*



*TOP*