

“Pack-Man” Model PM6FS or PM6R6 Cu. Yd. Self-Contained Compactor

MODEL NUMBER	Pack-Man
WASTEC Rating Size	83 cu. yd.
Loading Chamber Opening -	
Length	53"
Width	28"
Ram Penetration	12-1/2"
Ram Face -	
Height	41"
Width	53"
Cylinder Stroke (2)	16"
Cylinder Bore (2)	3"
Cylinder Rod Diameter (2)	1.5"
Cycle Time	36.7 Sec.
Pump Size	2.8 GPM
Motor Size	3 HP
Operating Pressure -	
Normal	1550 PSI
Maximum	1750 PSI
Force Rating -	
Normal	21,900 lbs.
Maximum	24,700 lbs.

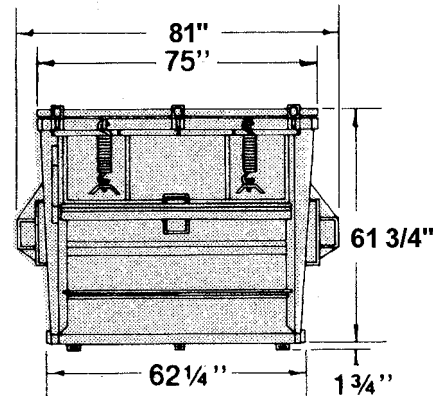
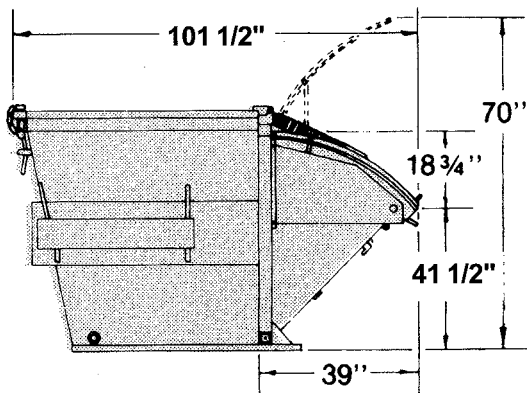
STANDARD FEATURES

- External Power Plant
- UL & Canadian UL Listed Industrial Control Panel
- 3 HP, 208/230/460 Volt, 3 Phase TEFC Motor
- 200 Mesh Oil Filter
- 13 Gallon Oil Reservoir
- Automatic Sequence Valve
- Spring Loaded Retainer Teeth
- Spring Assisted Compactor Lid with Interlock
- (2) 1/2" x 12' Hoses
- Hydraulic Quick Disconnect Couplers Mounted On Streetside
- Drain Plug in Container Side
- Standard in Red Oxide Primer

OPTIONAL FEATURES

- Oil Heater
- Finish Painted Any Galbreath Standard Color

Front Loading Pack-Man



Rear Loading Pack-Man

