

# PF6040 PakFORCE 2 Cu. Yd. Stationary Compactor

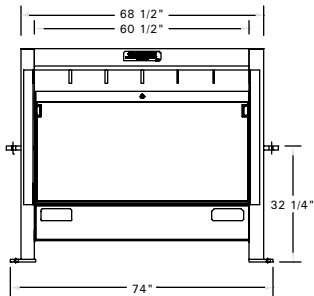
<b>MODEL NUMBER</b>	<b>PF6040</b>
WASTEC Rating Size .....	1.46 cu. yd.
Clear Top Opening - .....	Length ..... 39-1/2"
	Width ..... 57"
Ram Penetration .....	14-1/2"
Chamber Length .....	40-1/2"
Ram Face - .....	Height ..... 28"
	Width ..... 60"
Cylinder Stroke .....	54"
Cylinder Bore .....	6"
Cylinder Rod Diameter .....	4"
Discharge Opening - .....	Height ..... 39"
	Width ..... 61"
Ground Height .....	15-1/2"
Scale Weight .....	Approx. .... 5,400 lbs.
Cycle Time .....	38.5
Pump Size .....	10.3 GPM
Motor Size .....	10 HP
Operating Pressure - .....	Normal ..... 1950 PSI
	Maximum ..... 2250 PSI
Force Rating - .....	Normal ..... 32.8/55,200
	Maximum ... 37.9/63,700
Chamber Sides .....	3/16" Plate
Chamber Floor .....	1/2" Plate
Ram Top .....	1/4" Plate
Ram Sides .....	1/4" Plate
Ram Floor .....	1/4" Plate
Ram Face .....	3/8" Plate
Top Cover .....	Floor Plate ..... 12 Ga.
Volume Displacement Rate .....	136 cu. yd. per hr.

## STANDARD FEATURES

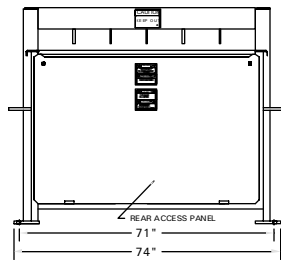
- Solid State Control System
- External Power Plant
- UL & Canadian UL Listed Industrial Control Panel
- 10 HP, 208/230/460 Volt, 3 Phase Continuous Duty Motor
- 37 Gallon Capacity Oil Tank
- 40 Micron Air Filter
- 200 Mesh Suction Filter in Reservoir
- Oil Level Sight Gauge with Thermometer
- 40 GPM Regenerative Hydraulic Control Valve
- 3/4 Full Light (1550 PSI)
- Container Full Light (1950 PSI)
- Hold to Operate Mode
- Hold to Operate Extend/Auto Retract Mode
- 2 - 8 Multicycle Modes
- Ram Stop Extended Mode
- Operator's Controls on 15' Flexible Conduit
- Claw Type Grab Hooks
- Replaceable Nylon Ram Guides
- Floor Plate Walk-On Deck
- 5 Retaining Teeth
- Finish Paint Any Standard Galbreath Color
- 2 Year Limited Warranty

## OPTIONAL FEATURES

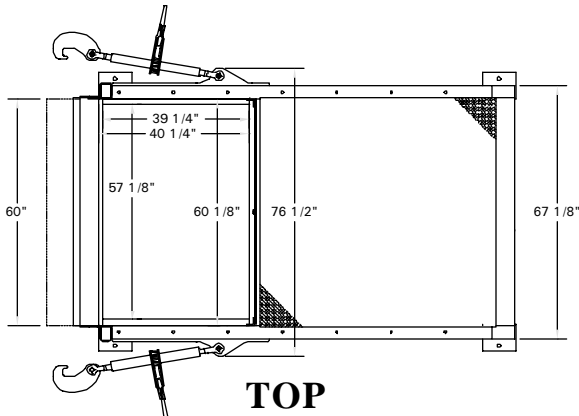
- Electro-Mechanical Power Plant
- Weather Cover for Power Plant
- Pressure Gauge
- 500 Watt Oil Heater
- Photoelectric Eye
- Low Oil/High Temperature Shut Off Sensor
- Interlock Switch On 30' Flexible Conduit
- Hauler's Controls on 15' Flexible Conduit
- Hoppers
- Drive-On Deck
- Chutes
- 15 HP With 13 GPM Power Plant
- 20 HP With 16 GPM Power Plant



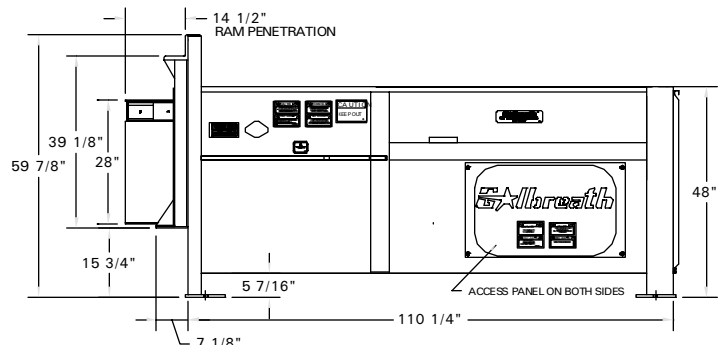
**FRONT**



**REAR**



**TOP**



**SIDE**